



before installing

please **carefully** read instructions
prior to install to avoid
any damage from incorrect
installation or mishandling

remember:

wait 24 hours
for silicone to
dry before
using water

do not
overtighten
drain. hand
tightening no
more than a 1/8"
turn.

do not place
tools &
hardware near
sink during
install

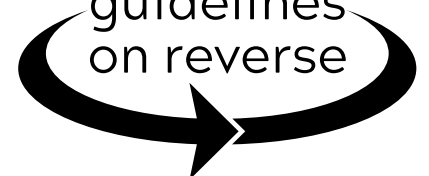


**crete
collective**

Phone
Email
Web

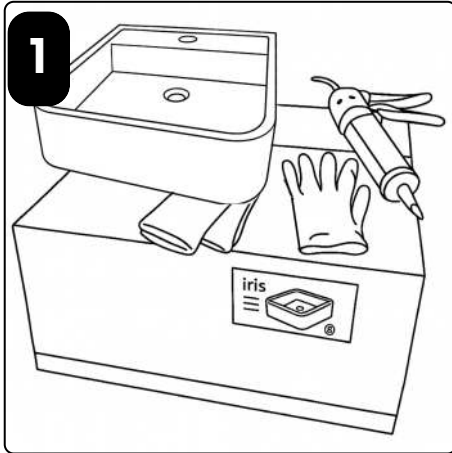
1-(877) 430-5551
hello@cretecollective.com
cretecollective.com

installation
guidelines
on reverse

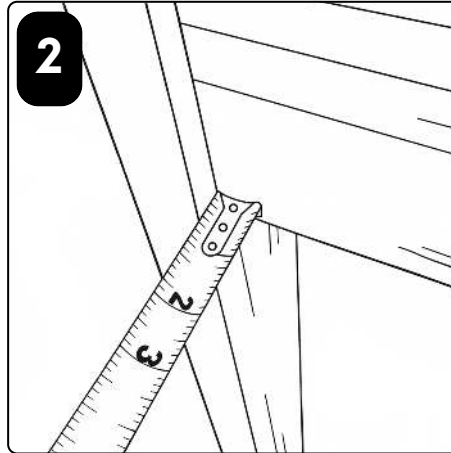


THIS DOCUMENT PROVIDES YOU WITH COMPREHENSIVE GUIDE TO ENSURE THE INSTALLATION OF YOUR NEW PRODUCT IS AS SMOOTH AND STRAIGHTFORWARD AS POSSIBLE.

BELOW YOU'LL FIND STEP BY STEP INSTRUCTIONS TO ENSURE A SUCCESSFUL INSTALLATION. WHILE YOU CAN EASILY INSTALL THIS NEW SINK YOURSELF, CRETE SUGGESTS ALWAYS HIRING A TRAINED PROFESSIONAL FOR INSTALLATION TO MITIGATE ANY POTENTIAL ISSUES. CRETE COLLECTIVE CANNOT BE HELD LIABLE FOR ANY DAMAGES OR INJURY ARISING FROM IMPROPER INSTALLATION OF THE SINK. IT IS CRUCIAL TO FOLLOW THE PROVIDED INSTRUCTIONS CAREFULLY AND REFRAIN FROM OVERTIGHTENING THE SINK DURING INSTALLATION.



1 REMOVE SINK FROM BOX AND PUT IN INTENDED SPACE. GATHER GLOVES, BATHROOM SILICONE, CLEAN CLOTHS, AND DRAIN ASSEMBLY

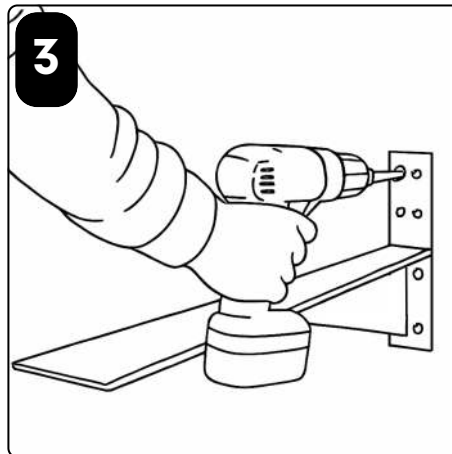


2 INSTALL A CROSS MEMBER BETWEEN STUDS, RECESSED 1/4" FROM FLUSH FACE OF STUD

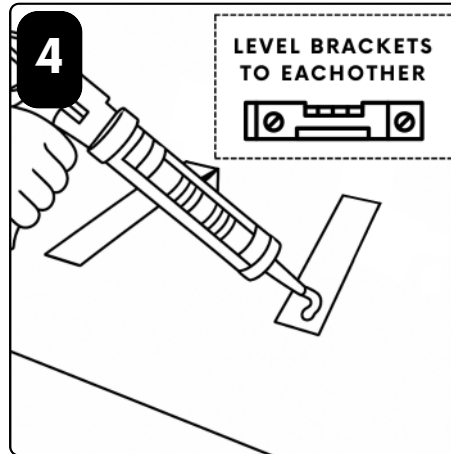
Secure bracket to structural backing

Using all holes, attach the bracket to continuous backing or a rated carrier as follows:

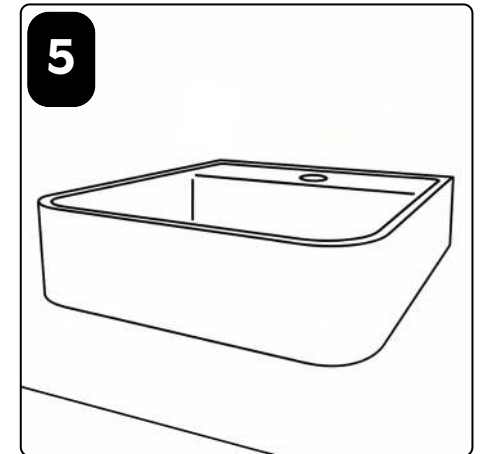
- Wood-frame walls: Fasten into doubled 2x6 or 2x8 blocking spanning between studs. Use 1/4-5/16 in (6-8 mm) corrosion-resistant lag screws or structural wood screws with at least 2 in (50 mm) embedment into solid wood. Tighten securely while keeping the bracket level.
- Steel-stud or hollow walls: Provide continuous wood blocking (2 pc. - 2x8 wood) or a steel plate mechanically fastened to the studs, or use a lavatory carrier. Do not fasten to gypsum board alone.
- Concrete or masonry walls: Use minimum 1/4 in (M6) corrosion-resistant mechanical anchors installed to the manufacturer's required embedment and torque.
- Confirm that the bracket is level and plumb.
- Confirm structural support meets the required load capacity (300 lbf (1.33 kN) before proceeding.



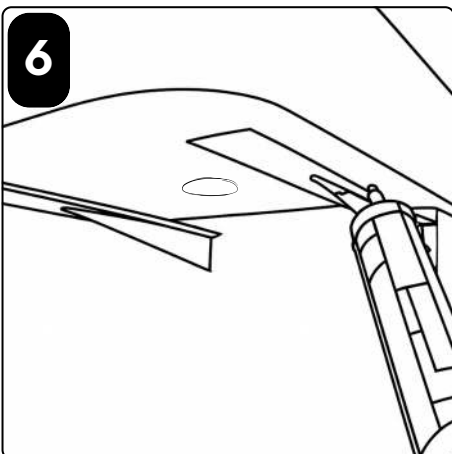
3 USE CONSTRUCTION SCREWS TO SECURE BRACKET TO CHOSEN BACKING. ENSURE THAT BRACKETS ARE LEVEL TO EACHOTHER



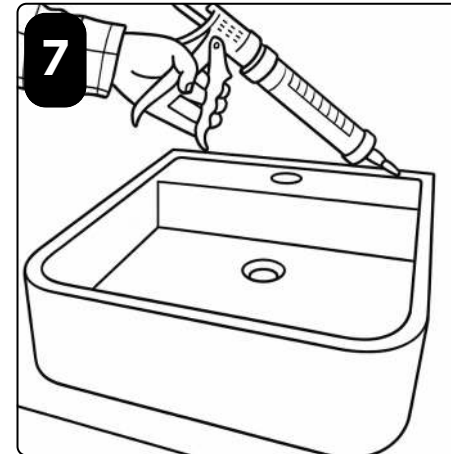
4 INSTALL DRYWALL OVER THE BRACKETS AND APPLY SILICONE TO TOP OF BRACKETS



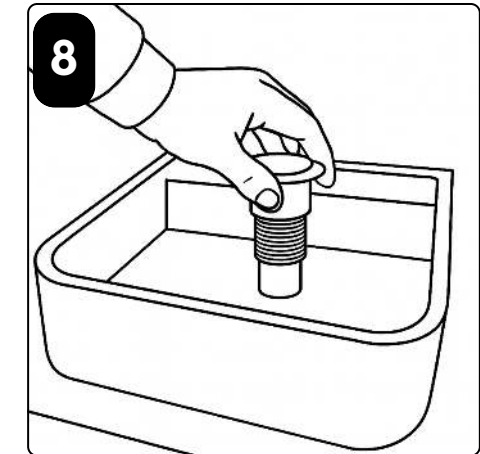
5 CAREFULLY PLACE SINK IN ITS INTENDED LOCATION, ALIGNING SINK OVER BRACKETS CENTER



6 APPLY SILICONE TO UNDERSIDE OF SINK, SEALING TO THE PERIMETER OF BRACKETS



7 APPLY SILICONE TO SURFACE OF SINK THAT IS TOUCHING THE WALL; USE PAINTERS TAPE TO ASSIT WITH CLEAN LINES



8 FILL DRAIN AREA WITH PLUMBERS PUTTY SURROUNDING DRAIN RIM, SLIDE DRAIN INTO PLACE, HAND-TIGHTEN. DO NOT OVER TIGHTEN