



# before installing

please **carefully** read instructions  
prior to install to avoid  
any damage from incorrect  
installation or mishandling

remember:

wait 24 hours  
for silicone to  
dry before  
using water

do not  
overtighten  
drain. hand  
tightening no  
more than a 1/8"  
turn.

do not place  
tools &  
hardware near  
sink during  
install

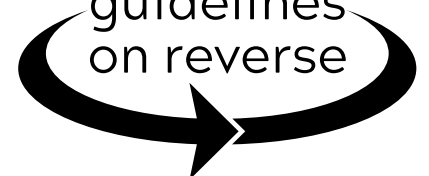


**crete  
collective**

Phone  
Email  
Web

1-(877) 430-5551  
hello@cretecollective.com  
cretecollective.com

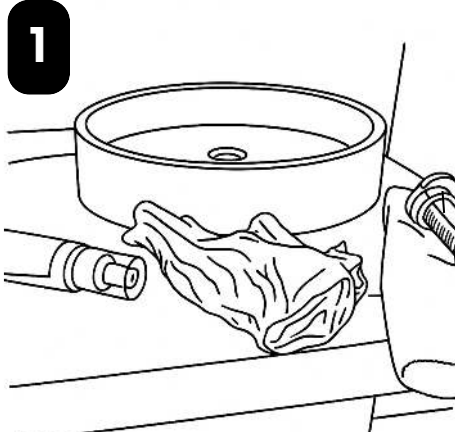
installation  
guidelines  
on reverse



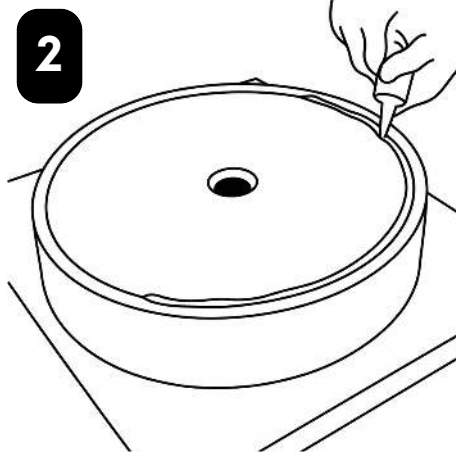
THANK YOU FOR CHOOSING A CRETE COLLECTIVE PRODUCT FOR YOUR SPACE.

THIS DOCUMENT PROVIDES YOU WITH COMPREHENSIVE GUIDE TO ENSURE THE INSTALLATION OF YOUR NEW PRODUCT IS AS SMOOTH AND STRAIGHTFORWARD AS POSSIBLE.

BELOW YOU'LL FIND STEP BY STEP INSTRUCTIONS TO ENSURE A SUCCESSFUL INSTALLATION. WHILE YOU CAN EASILY INSTALL THIS NEW SINK YOURSELF, CRETE SUGGESTS ALWAYS HIRING A TRAINED PROFESSIONAL FOR INSTALLATION TO MITIGATE ANY POTENTIAL ISSUES. CRETE COLLECTIVE CANNOT BE HELD LIABLE FOR ANY DAMAGES OR INJURY ARISING FROM IMPROPER INSTALLATION OF THE SINK. IT IS CRUCIAL TO FOLLOW THE PROVIDED INSTRUCTIONS CAREFULLY AND REFRAIN FROM OVERTIGHTENING THE SINK DURING INSTALLATION.



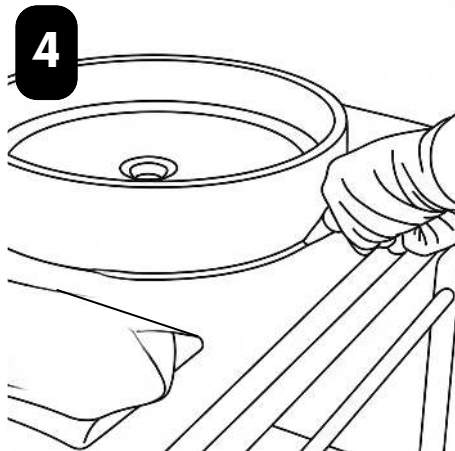
**1**  
REMOVE SINK FROM BOX AND PUT IN INTENDED SPACE. GATHER GLOVES, BATHROOM SILICONE, CLEAN CLOTHS, AND DRAIN ASSEMBLY



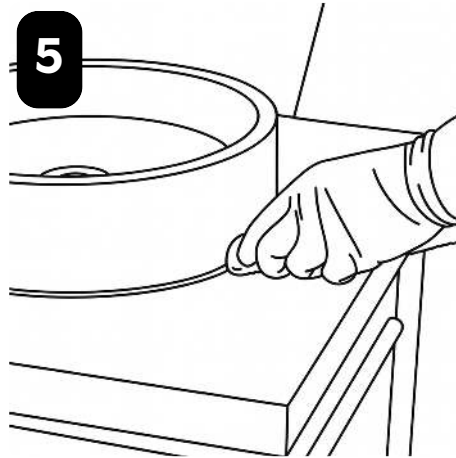
**2**  
RUN A LINE OF CLEAR BATHROOM SILICONE AROUND THE UNDERSIDE OF THE SINK 1/2" BACK FROM THE EDGE



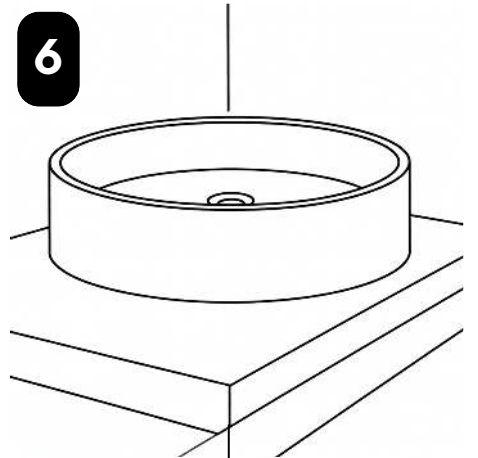
**3**  
PRESS DOWN INTO COUNTER AND REMOVE EXCESS SILICONE USING DENATURATED ALCOHOL AND CLOTH



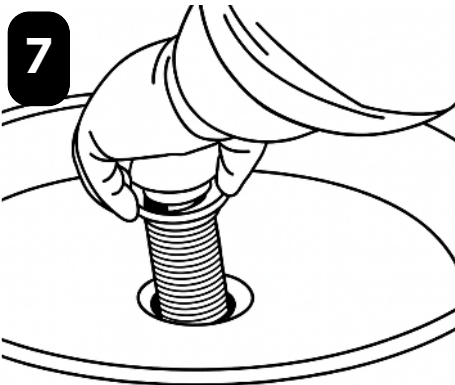
**4**  
RUN A BEAD OF CLEAR BATHROOM SILICONE TO SECURE THE BASIN TO THE COUNTER



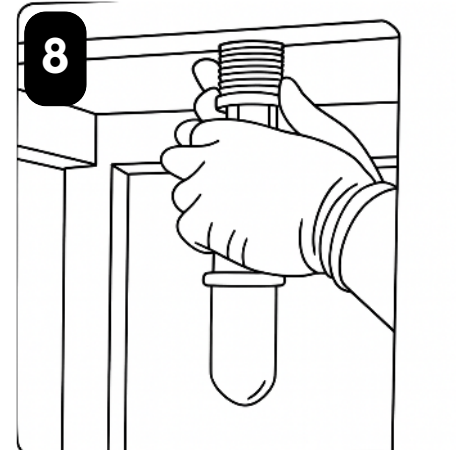
**5**  
SMOOTH SILICONE OFF TO NEAT FINISH AND WIPE CLEAN EXCESS WITH CLOTH



**6**  
PLEASE ENSURE THE SILICONE IS WATERPROOF AND COMPLETE, SO WATER CAN'T GET UNDER THE BASIN



**7**  
FILL DRAIN AREA WITH PLUMBERS PUTTY, SURROUNDING DRAIN RIM



**8**  
SLIDE DRAIN INTO PLACE, HAND-TIGHTEN. DO NOT OVERTIGHTEN



**9**  
REMOVE EXCESS PUTTY, ALLOW SILICONE TO DRY FOR 24 HOURS BEFORE USE