



# before installing

please **carefully** read instructions  
prior to install to avoid  
any damage from incorrect  
installation or mishandling

remember:

wait 24 hours  
for silicone to  
dry before  
using water

do not  
overtighten  
drain. hand  
tightening no  
more than a 1/8"  
turn.

do not place  
tools &  
hardware near  
sink during  
install

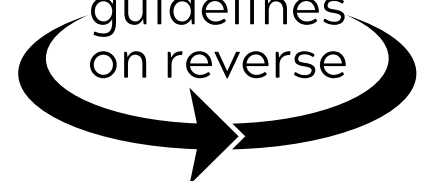


**crete  
collective**

Phone  
Email  
Web

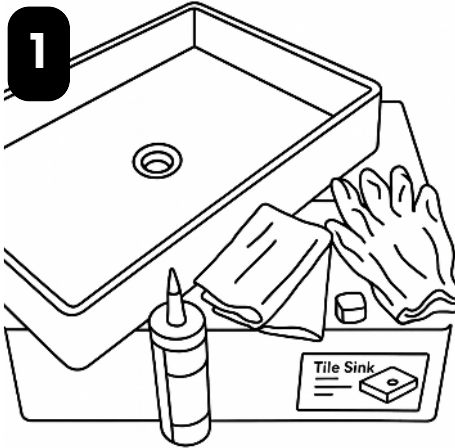
1-(877) 430-5551  
hello@cretecollective.com  
cretecollective.com

installation  
guidelines  
on reverse

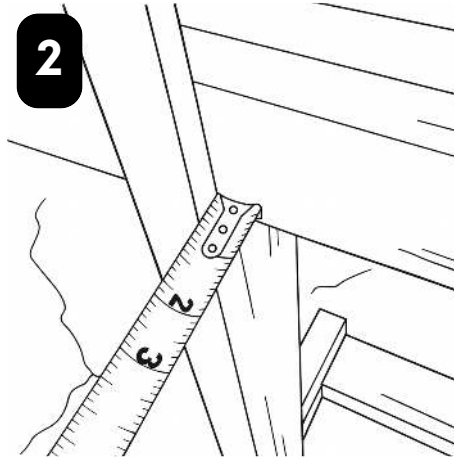


THIS DOCUMENT PROVIDES YOU WITH COMPREHENSIVE GUIDE TO ENSURE THE INSTALLATION OF YOUR NEW PRODUCT IS AS SMOOTH AND STRAIGHTFORWARD AS POSSIBLE.

BELOW YOU'LL FIND STEP BY STEP INSTRUCTIONS TO ENSURE A SUCCESSFUL INSTALLATION. WHILE YOU CAN EASILY INSTALL THIS NEW SINK YOURSELF, CRETE SUGGESTS ALWAYS HIRING A TRAINED PROFESSIONAL FOR INSTALLATION TO MITIGATE ANY POTENTIAL ISSUES. CRETE COLLECTIVE CANNOT BE HELD LIABLE FOR ANY DAMAGES OR INJURY ARISING FROM IMPROPER INSTALLATION OF THE SINK. IT IS CRUCIAL TO FOLLOW THE PROVIDED INSTRUCTIONS CAREFULLY AND REFRAIN FROM OVERTIGHTENING THE SINK DURING INSTALLATION.



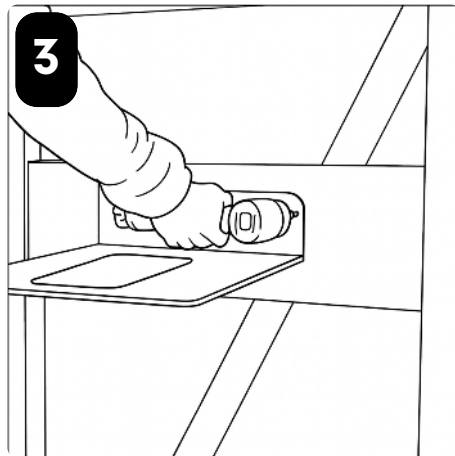
**1** REMOVE SINK FROM BOX AND PUT IN INTENDED SPACE. GATHER GLOVES, BATHROOM SILICONE, CLEAN CLOTHS, AND DRAIN ASSEMBLY



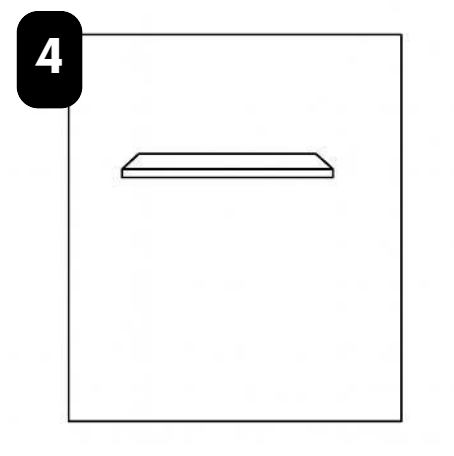
**2** INSTALL A CROSS MEMBER BETWEEN STUDS, RECESSED 1/4" FROM FLUSH FACE OF STUD.

Secure bracket to structural backing  
Using a minimum of four (4) fasteners, attach the bracket to continuous backing or a rated carrier as follows:

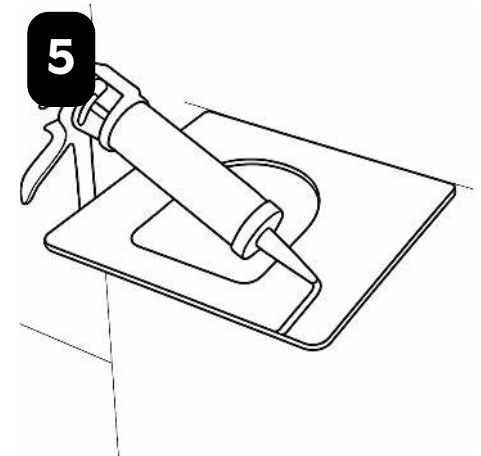
- Wood-frame walls: Fasten into doubled 2x6 or 2x8 blocking spanning between studs. Use 1/4-5/16 in (6-8 mm) corrosion-resistant lag screws or structural wood screws with at least 2 in (50 mm) embedment into solid wood. Tighten securely while keeping the bracket level.
- Steel-stud or hollow walls: Provide continuous wood blocking (2 pc. - 2x8 wood) or a steel plate mechanically fastened to the studs, or use a lavatory carrier. Do not fasten to gypsum board alone.
- Concrete or masonry walls: Use minimum 1/4 in (M6) corrosion-resistant mechanical anchors installed to the manufacturer's required embedment and torque.
- Confirm that the bracket is level and plumb.
- Confirm structural support meets the required load capacity (300 lbf (1.33 kN)) before proceeding.



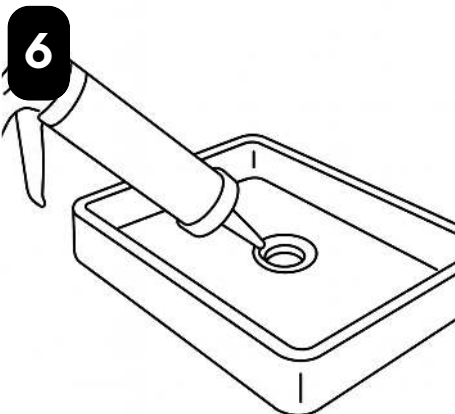
**3** USE MINIMUM 4 HOLES TO SECURE BRACKET TO CHOSEN BACKING.



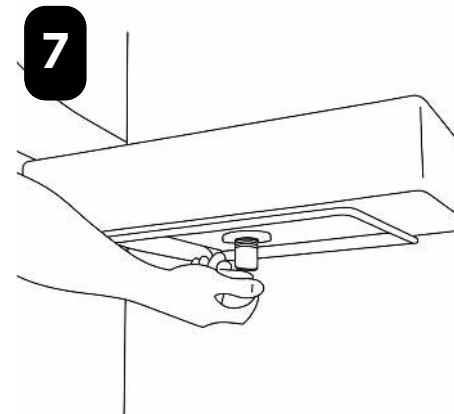
**4** INSTALL YOUR DRYWALL OVER THE BRACKET



**5** APPLY SILICONE TO TOP OF BRACKET. THEN CAREFULLY PLACE SINK IN ITS INTENDED LOCATION, ALIGNING SINK OVER BRACKET CENTER.



**6** FILL DRAIN AREA WITH PLUMBERS PUTTY (PREFERRED) OR SILICONE, SURROUNDING DRAIN RIM



**7** SLIDE DRAIN INTO PLACE, HAND-TIGHTEN. DO NOT OVERTIGHTEN



**8** REMOVE EXCESS PUTTY, ALLOW SILICONE TO DRY FOR 24 HOURS BEFORE USE